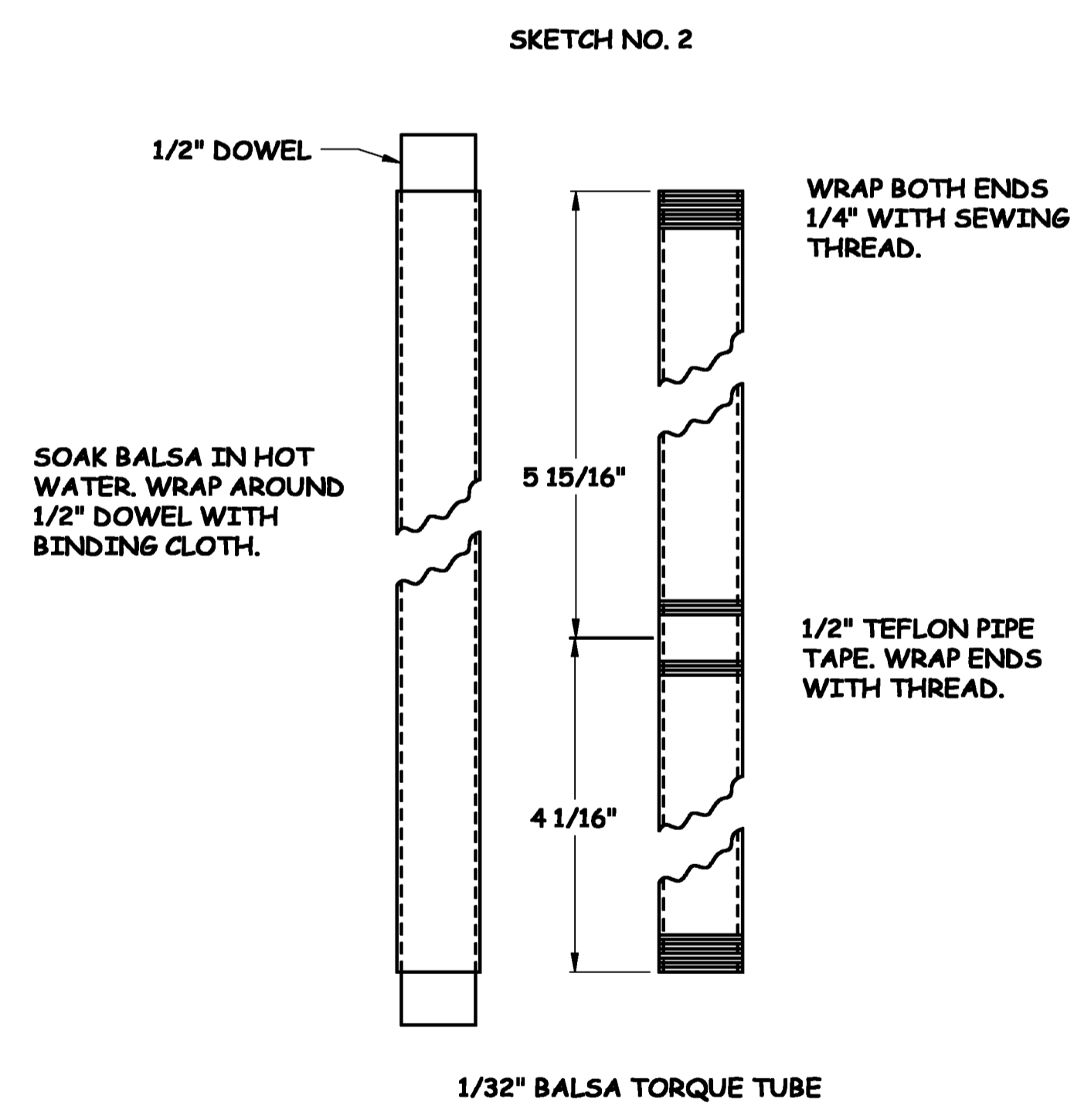
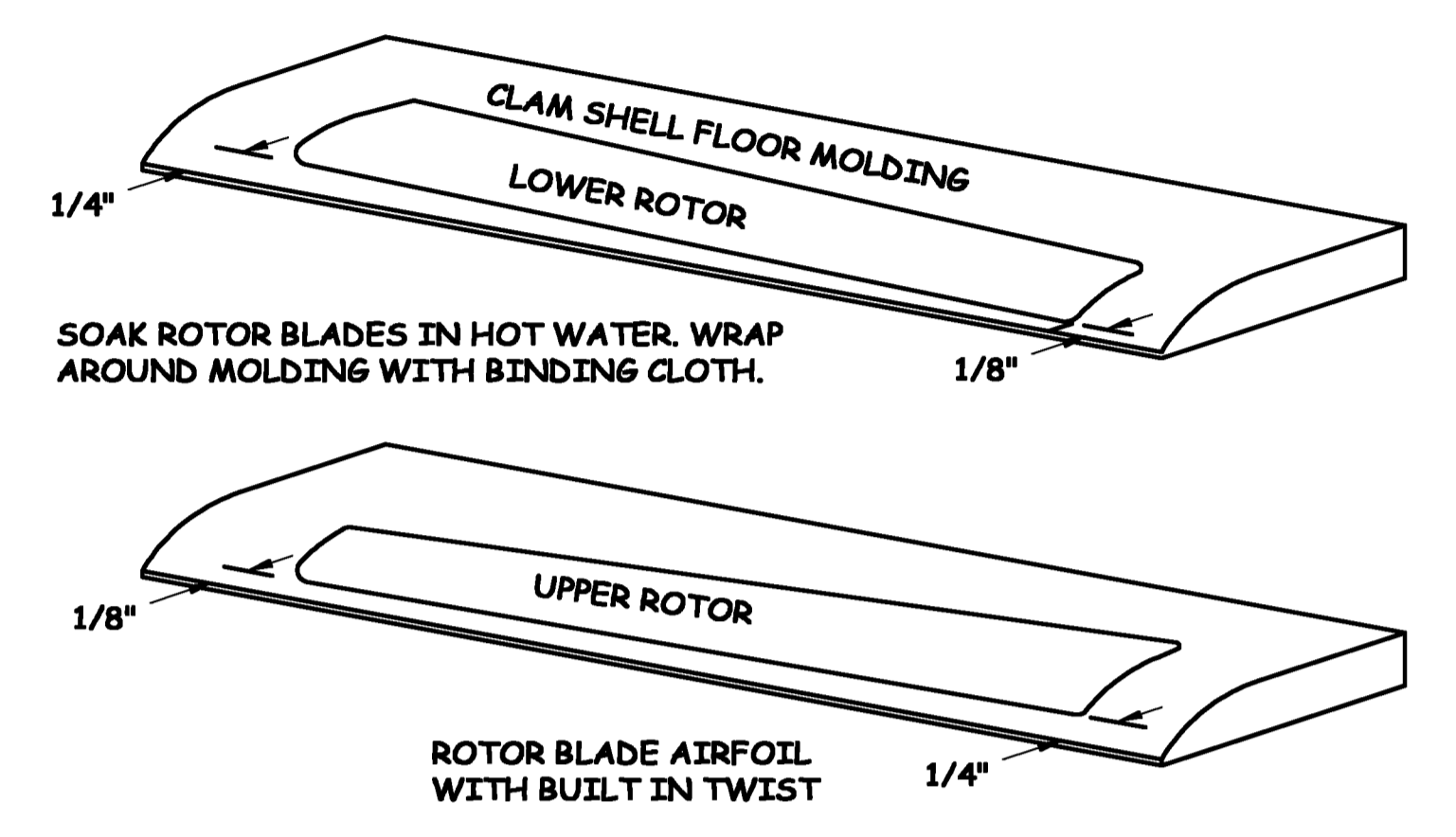
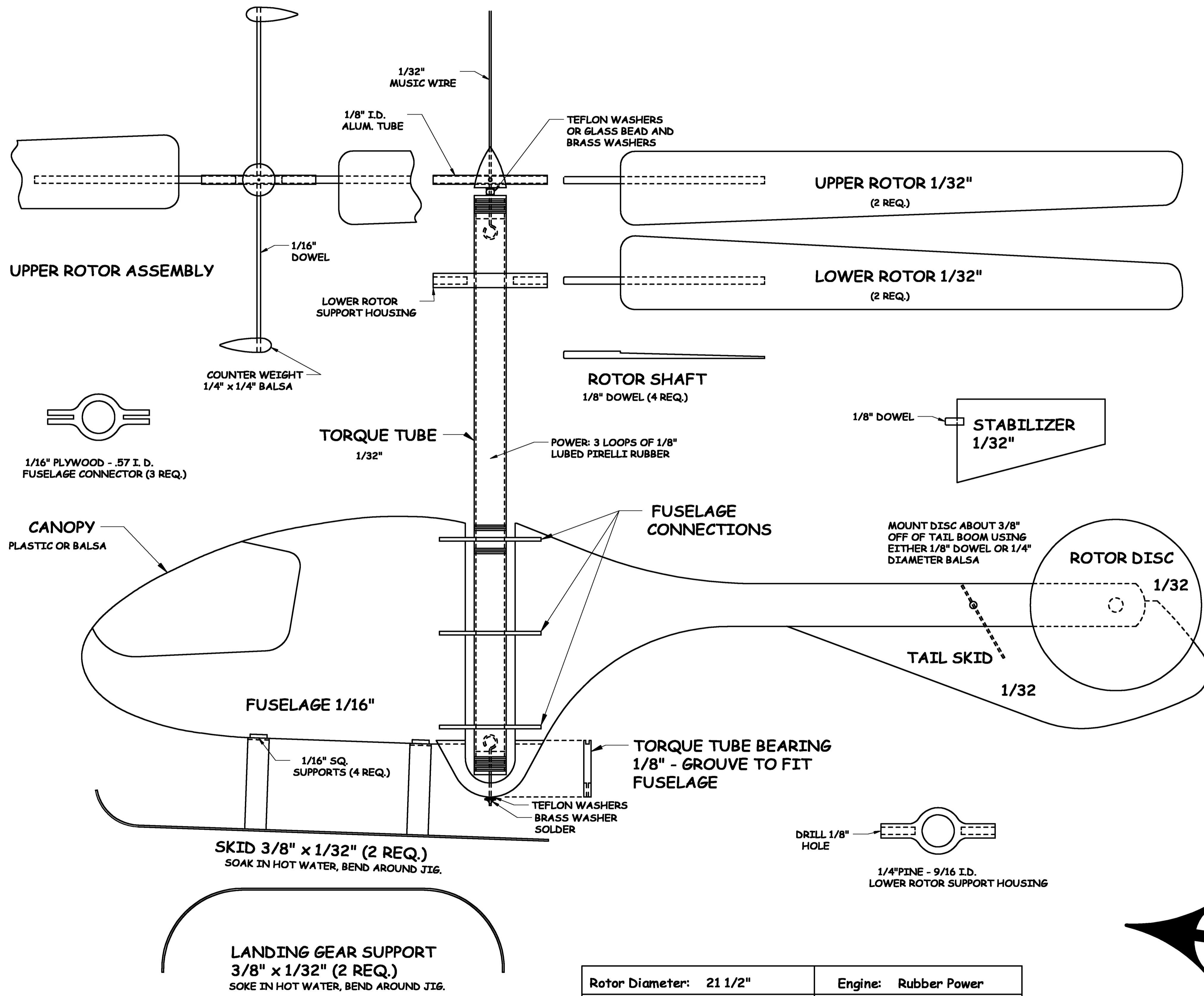


# ~ Indoor Free Flight Helicopter ~



Rotor Diameter: 21 1/2"	Engine: Rubber Power
Fuselage Length: 19 3/4"	Scale: Full
Designed by: FRANK DE CICCIO & ROMAN BITTEL	
Drawn & inked by: FRANK DE CICCIO March 1973	

**D & B**

**Whirlybird**