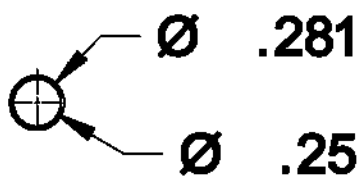
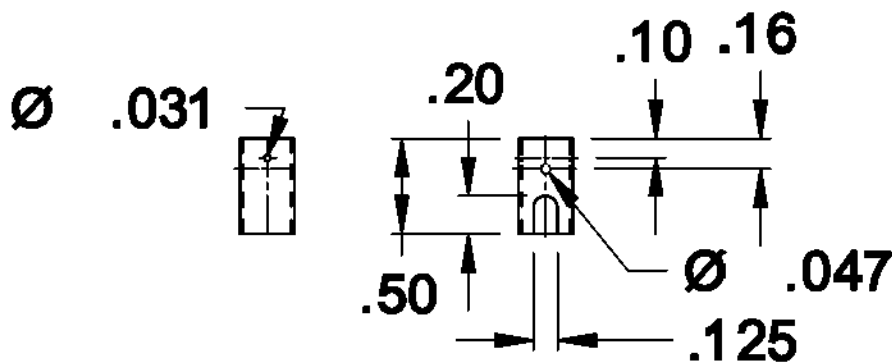


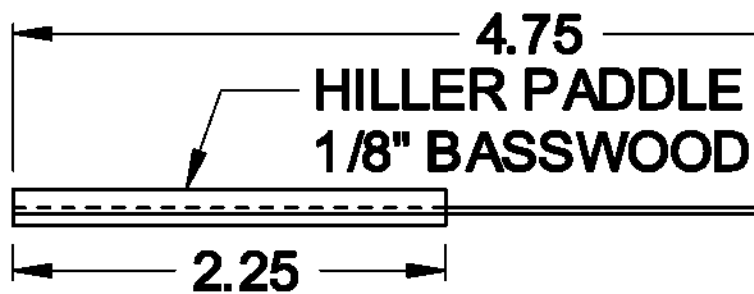
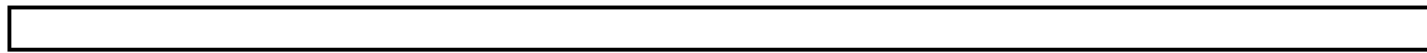
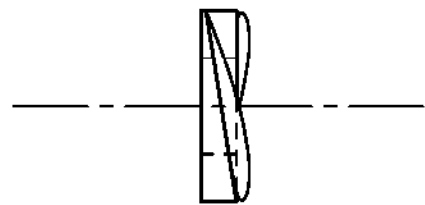
**NIKKI**  
BY JOHN BURKAM 6-24-89



**MAIN ROTOR BLADE**  
**3/32" x 1 x 11.64**  
**HARD BALSA**

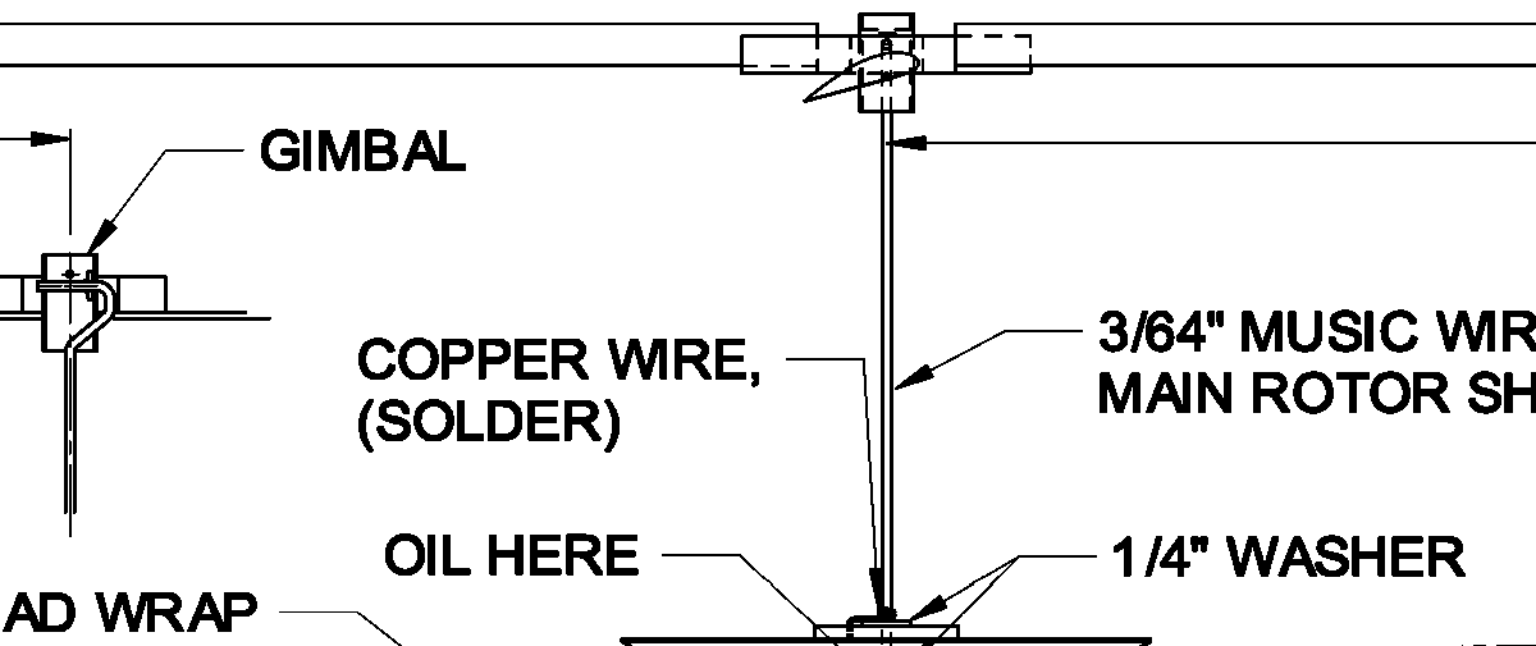
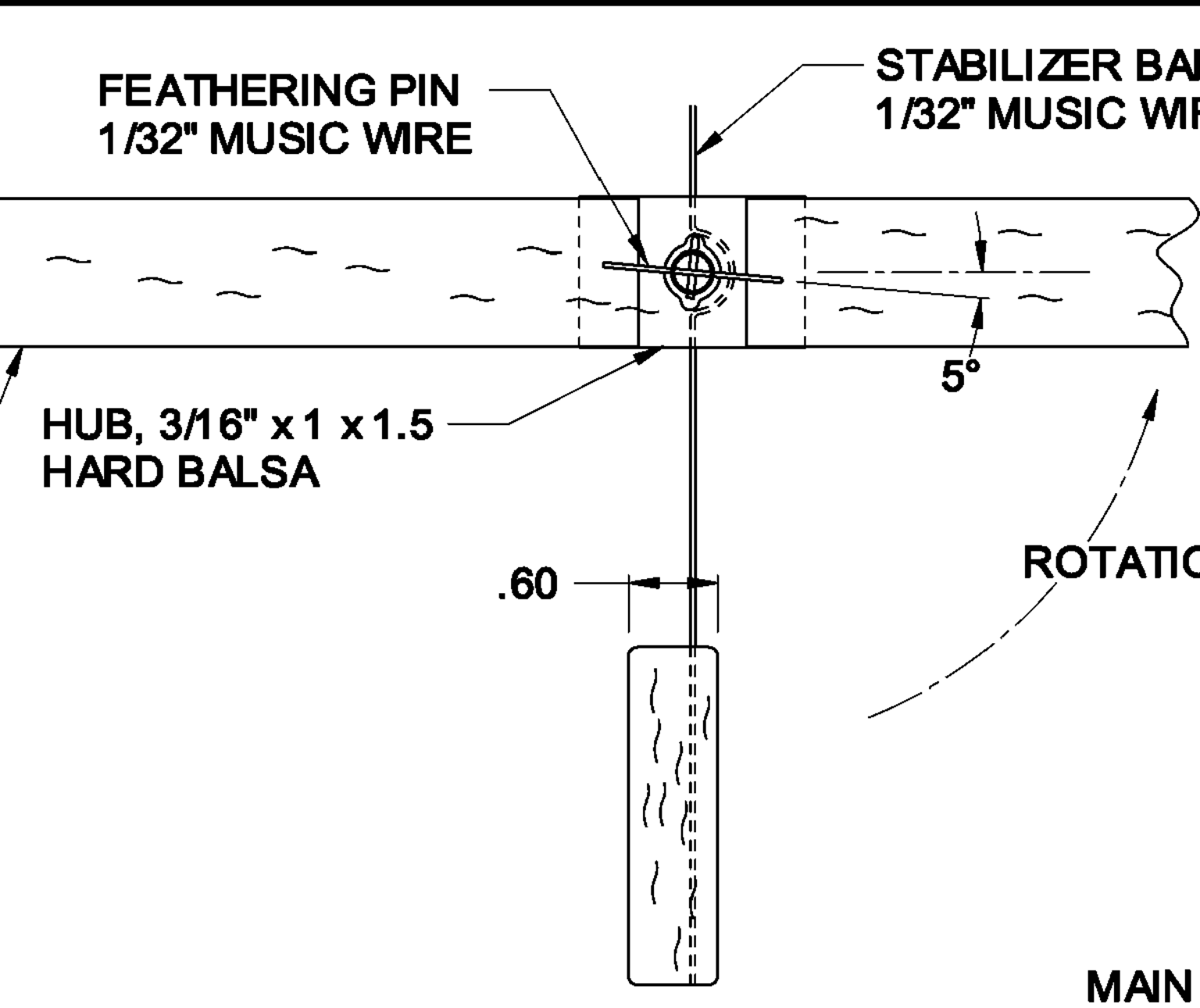


**GIMBLE**  
**.281 OD X .250 ID**  
**AL TUBING**



**PULLEY, 1/8"**  
**HARD BALSA**

**THRE**

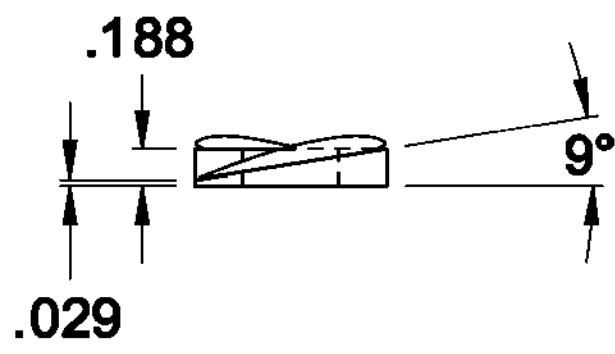


R  
RE



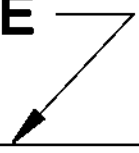
TAIL ROT

ON



1/16" BAL  
ON TOP

ROTOR BLADE

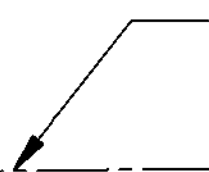


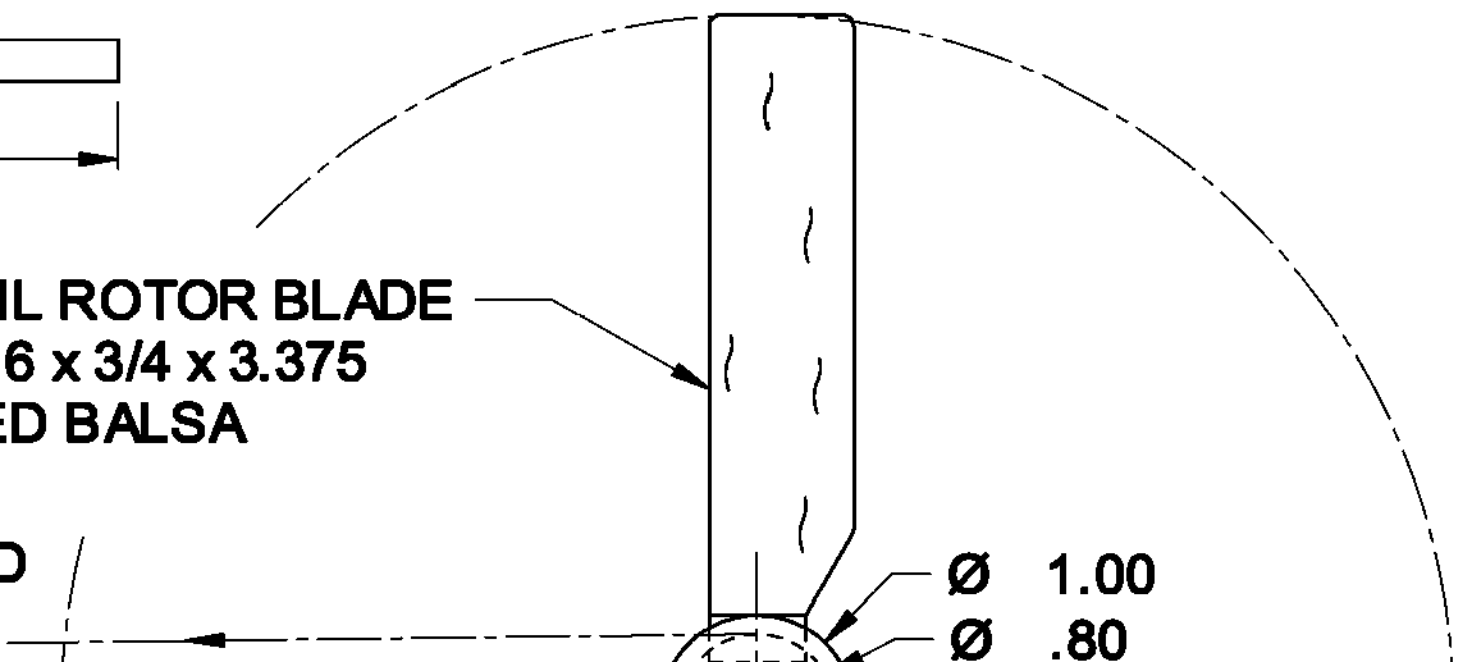
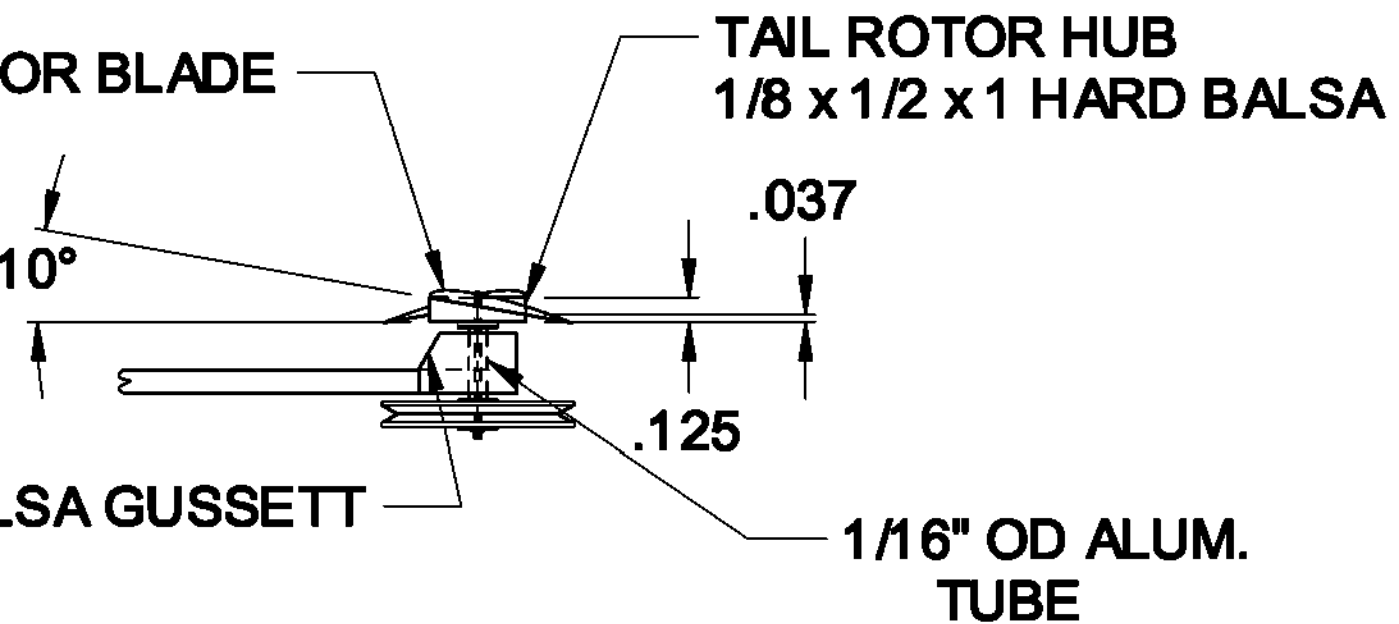
12.00

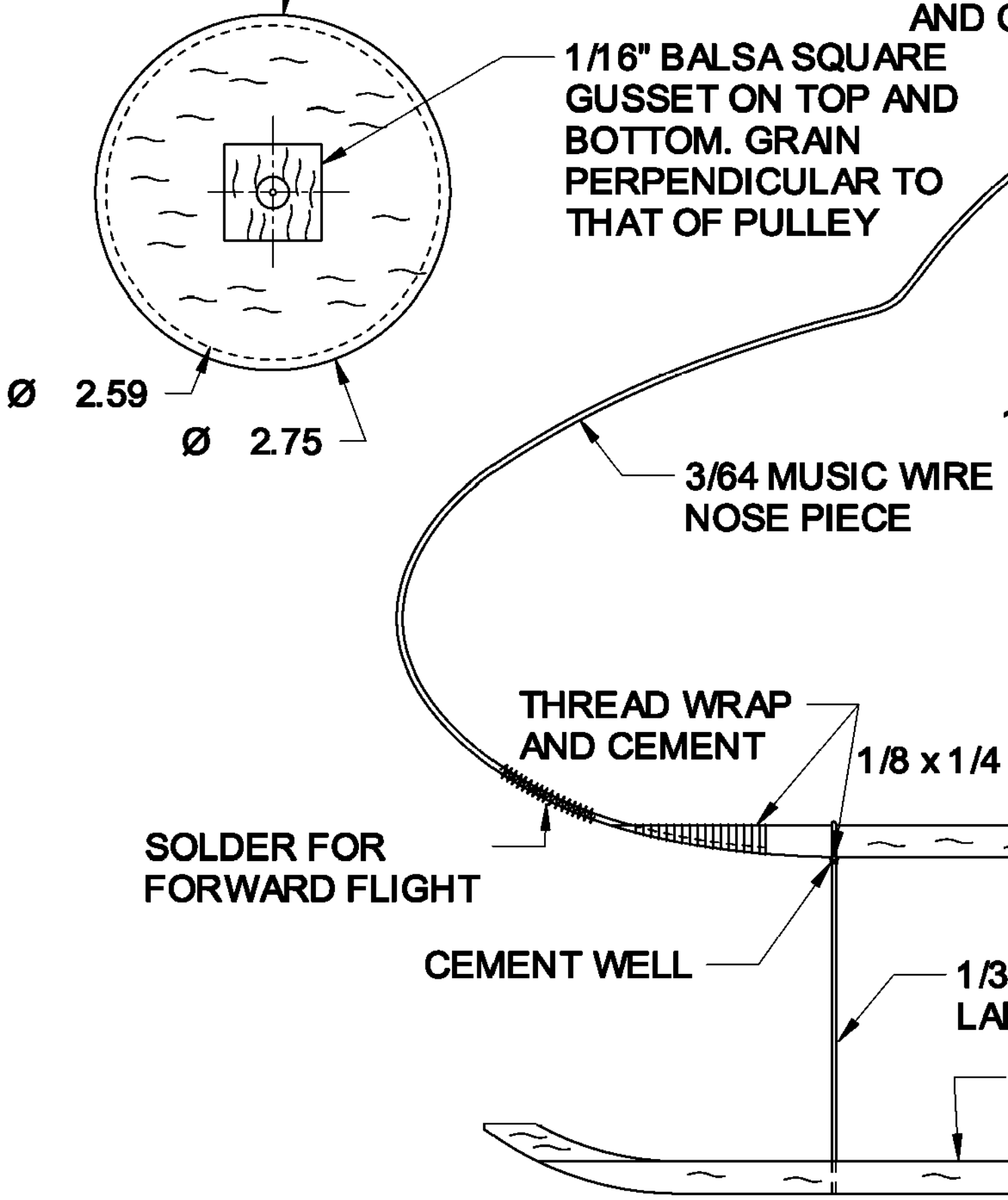
E  
AFT

TA  
1/1  
ME

BUTTON OR  
CARPET THREAD







**CEMENT**

**1/4" WASHER**

**.38**

**2.47**

**1/16" C  
BOTH**

**1/8 x 1/4 HARD Balsa**

**POWER 6 STRAIN  
OF 1/8 x .04 FLAT  
RUBBER**

**1/16" GUSSET  
BOTH SIDES**

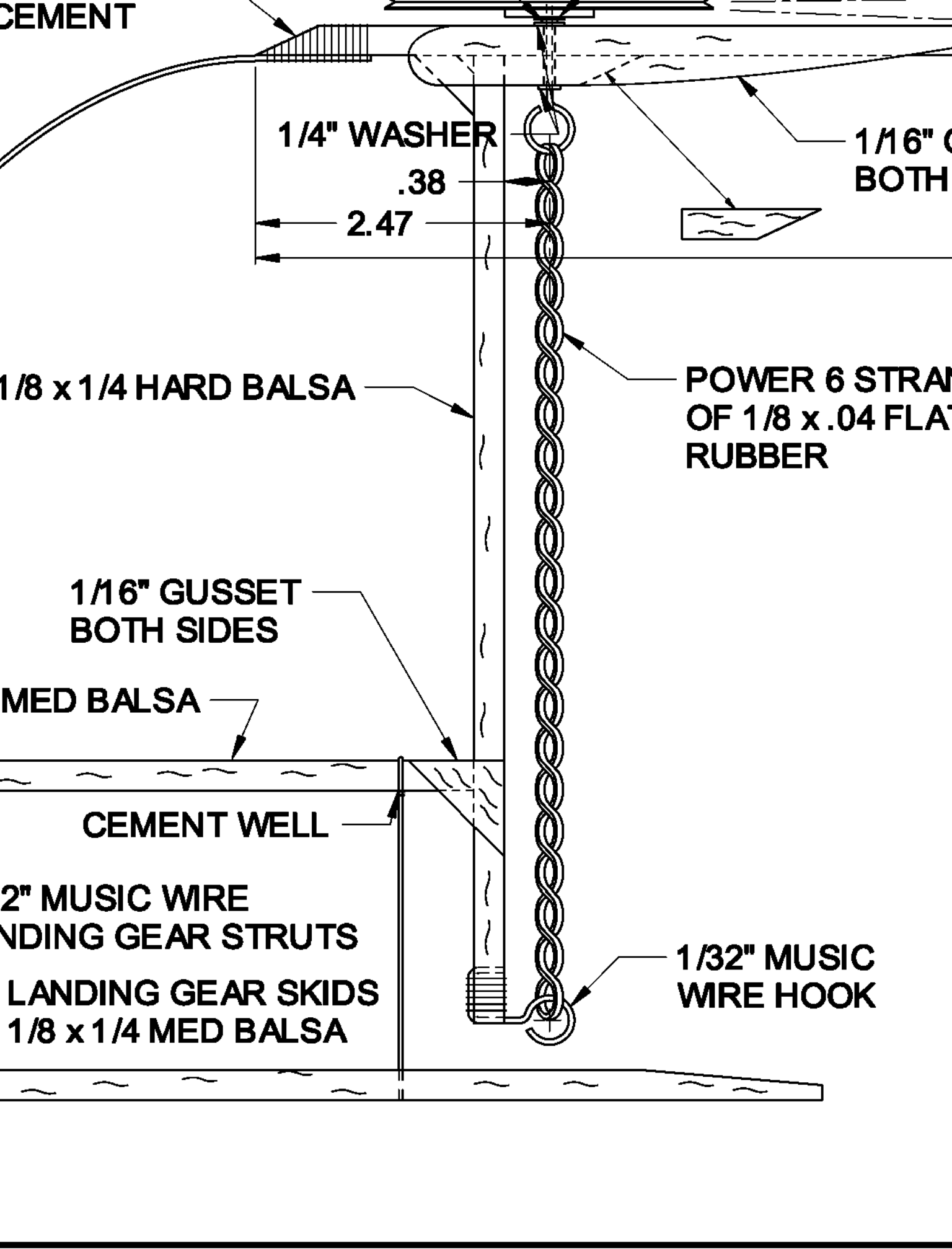
**MED Balsa**

**CEMENT WELL**

**2" MUSIC WIRE  
LANDING GEAR STRUTS**

**LANDING GEAR SKIDS  
1/8 x 1/4 MED Balsa**

**1/32" MUSIC  
WIRE HOOK**

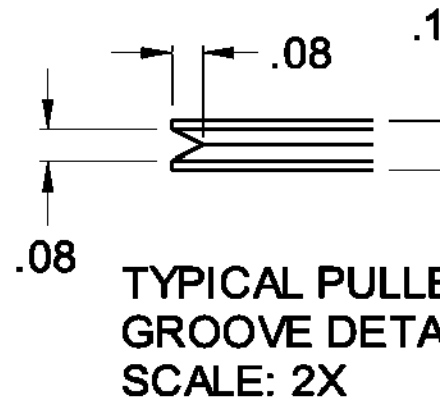
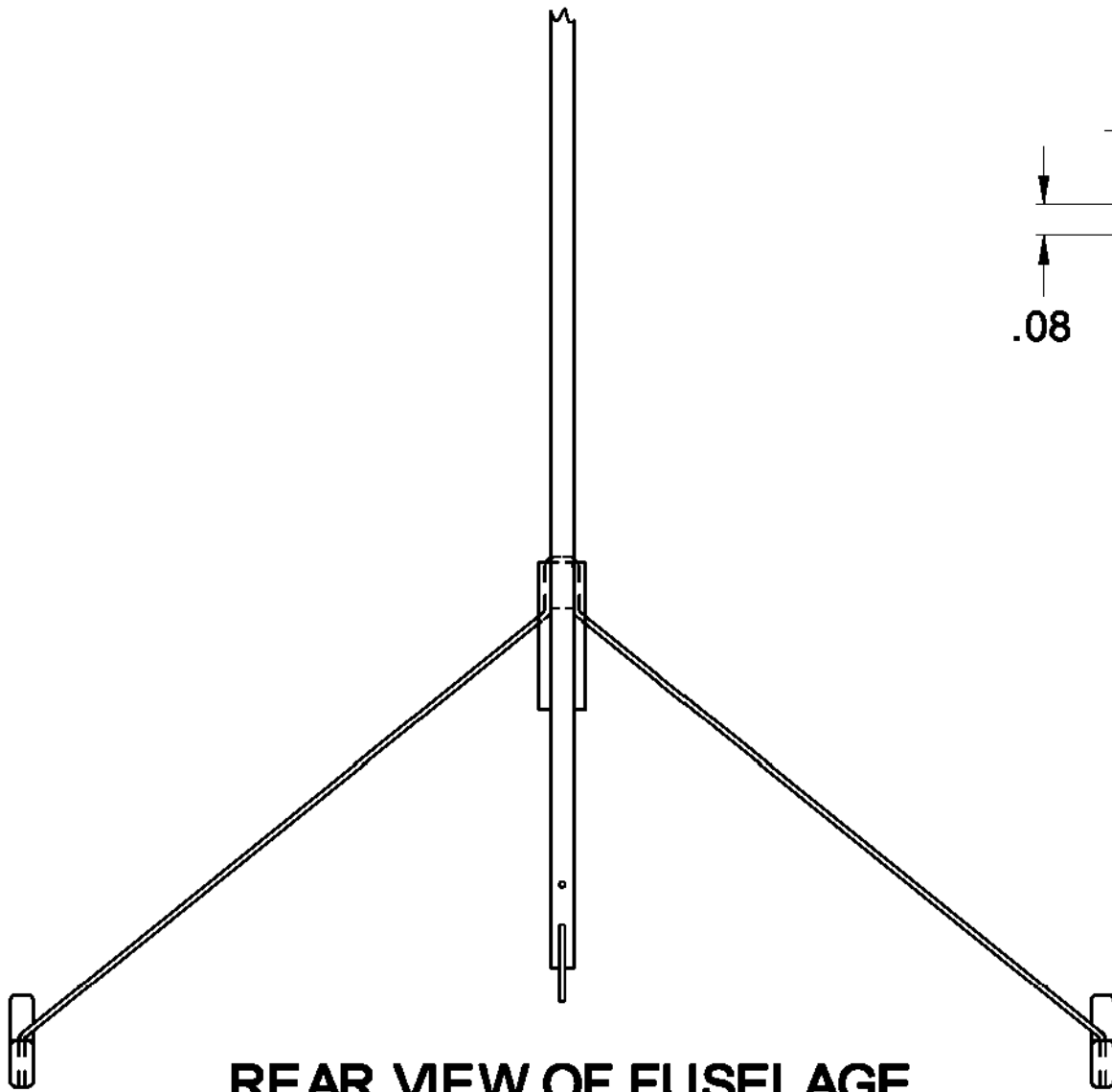


**GUSSET ON  
SIDES**

**TAIL BOOM  
1/8 x 1/4 BALSA, TAPER  
TO 1/8 x 5/32 AT REAR END**

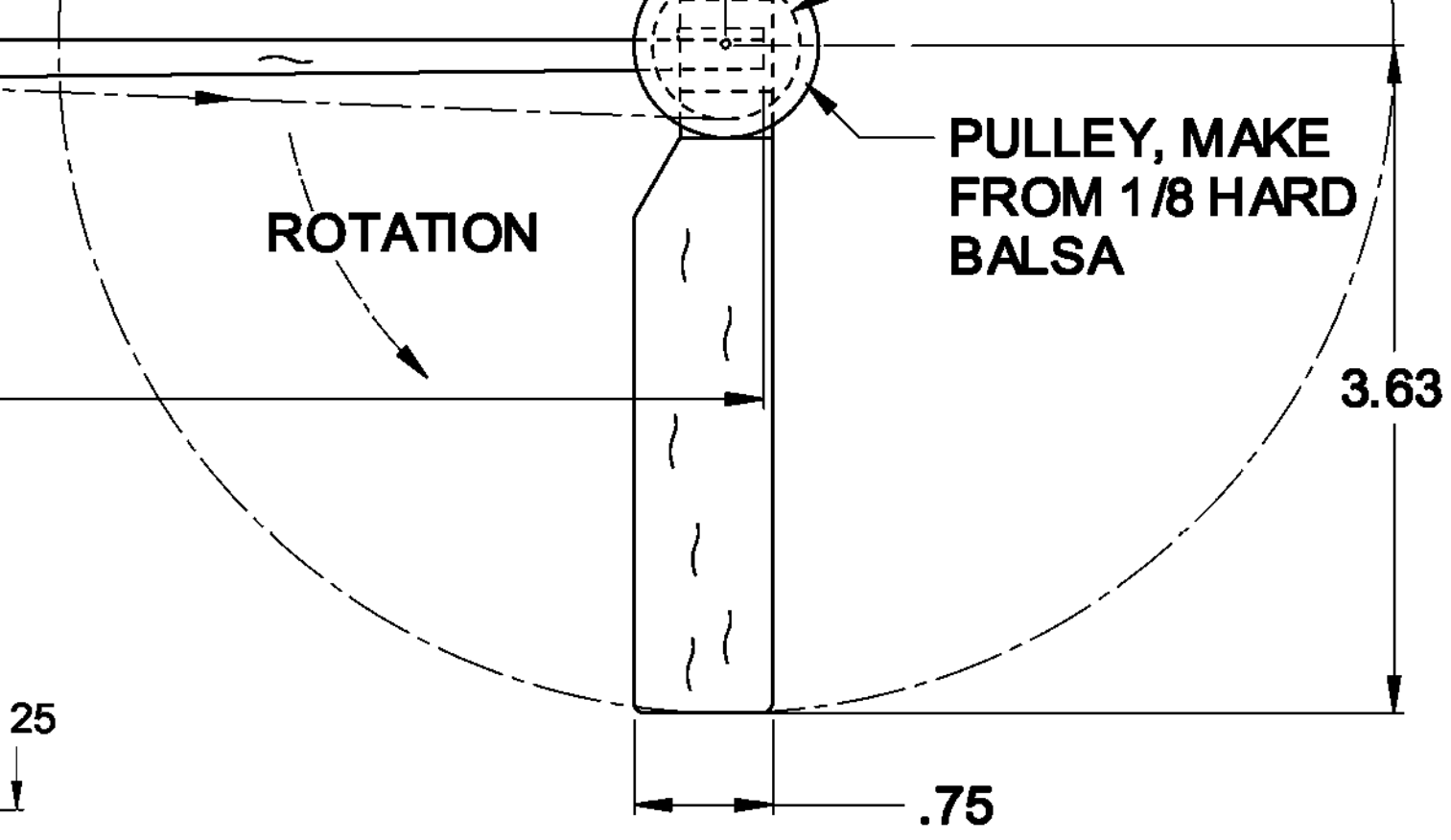
**18.00**

**ENDS  
T**



**REAR VIEW OF FUSELAGE  
AND LANDING GEAR STRUTS**





KEY  
NL

# NIKKI

BY JOHN BURKAM 6-24-89