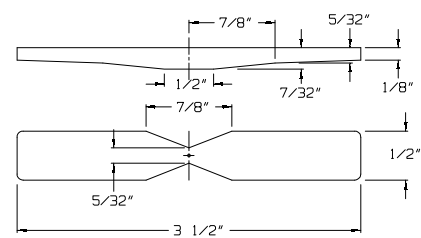
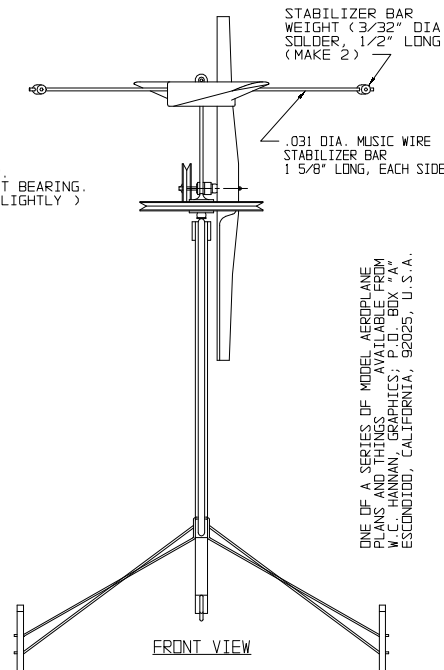
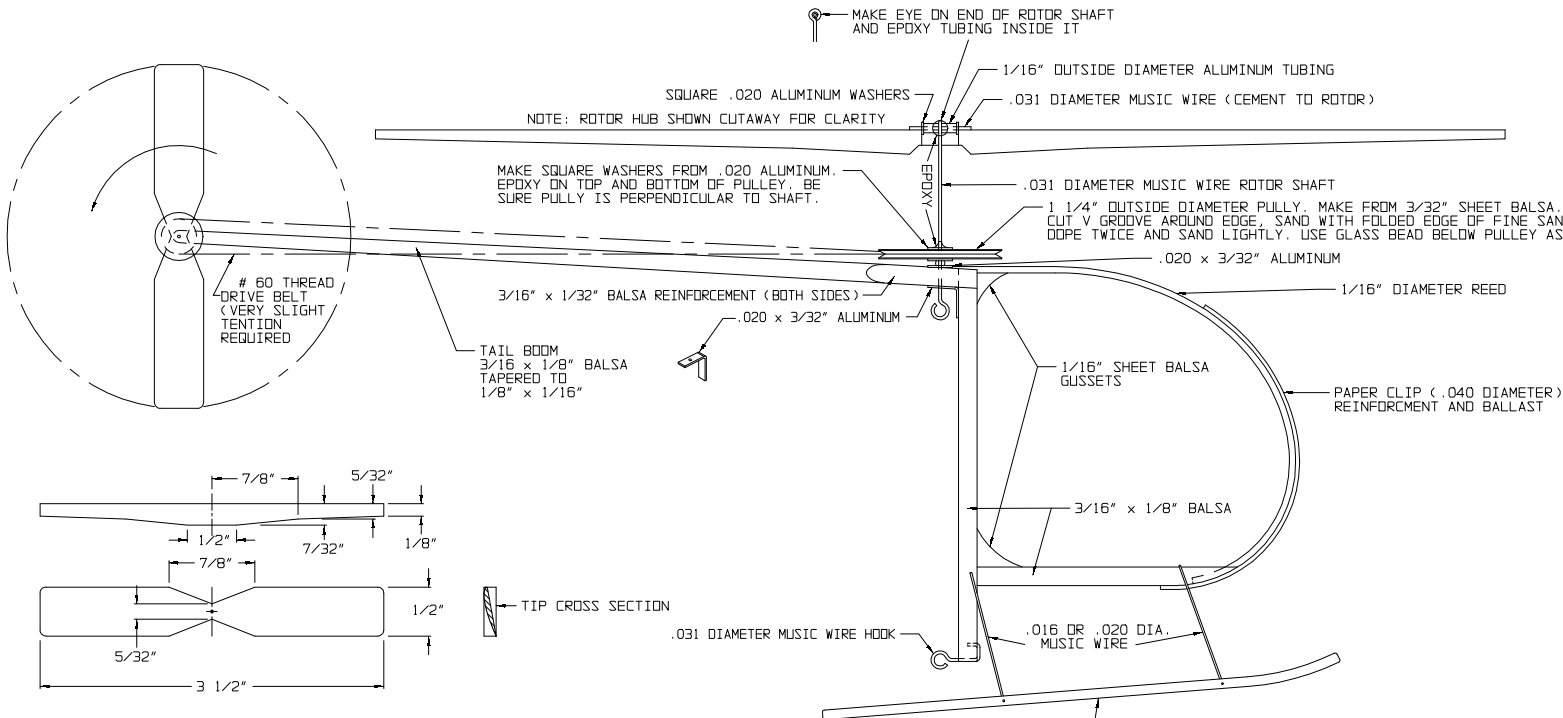
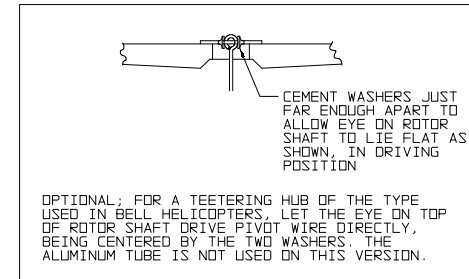
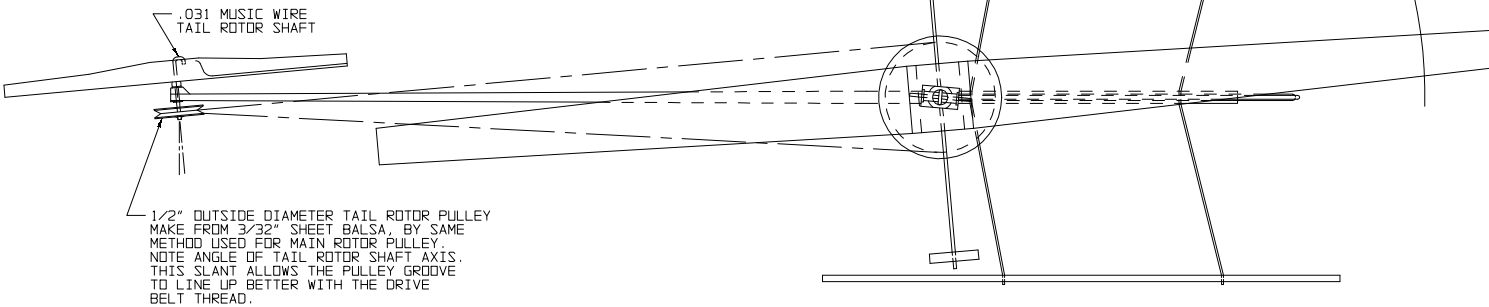


MAIN ROTOR BLANK
1/4" MEDIUM BALSA
CARVE RIGHT HANDED

NOTES:

1. AN INTERESTING EXPERIMENT IS TO TRY DIFFERENT ANGLES ON THE FEATHERING HINGE, SHOWN AS 5 TO 10° ON THE MAIN ROTOR TOP VIEW. 0° OR -5° GIVE AN ENTIRELY DIFFERENT AND NOT AS PLEASING TYPE OF FLIGHT!
2. USE ONE LOOP (TWO STRANDS) OF 1/8" PIRELLI RUBBER, WITH THE LOOP A LITTLE LONGER THAN THE DISTANCE BETWEEN HOOKS. FOR MAXIMUM DURATION, LUBRICATE RUBBER AND STRETCH WHILE WINDING.



TAIL ROTOR BLANK
SOFT BALSA
CARVE RIGHT HANDED

MODEL SHOULD BALANCE DIRECTLY UNDER ROTOR SHAFT

DIVE OF A SERIES OF MODEL AEROPHANE PLANS AND THINGS AVAILABLE FROM W.C. HANNAN, GRAPHICS, P.O. BOX "A", ESCONDIDO, CALIFORNIA, 92025, U.S.A.