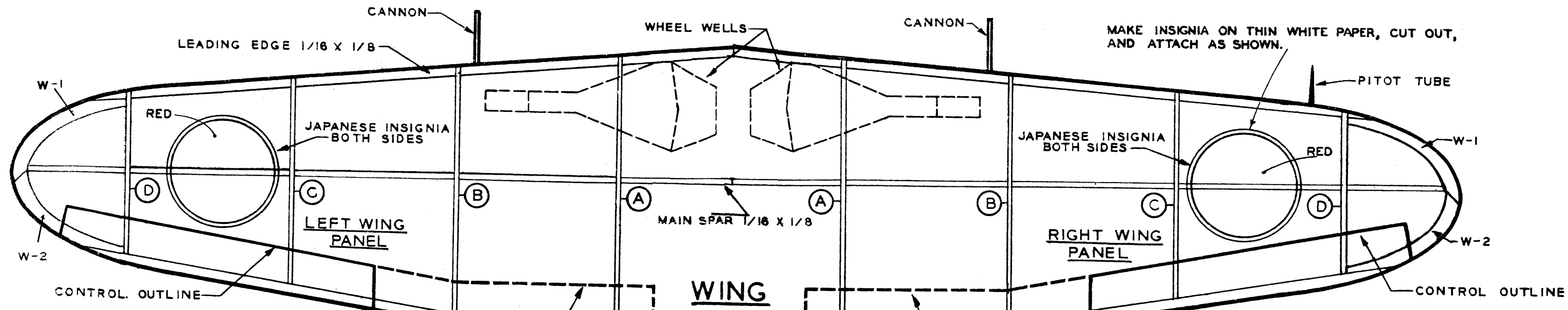
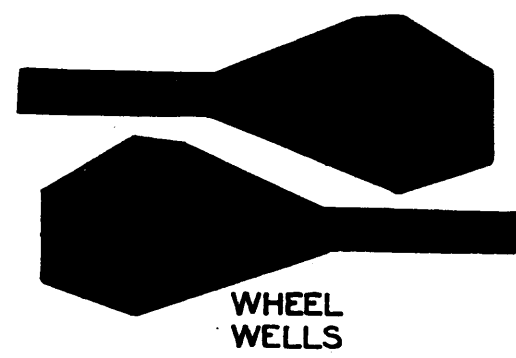
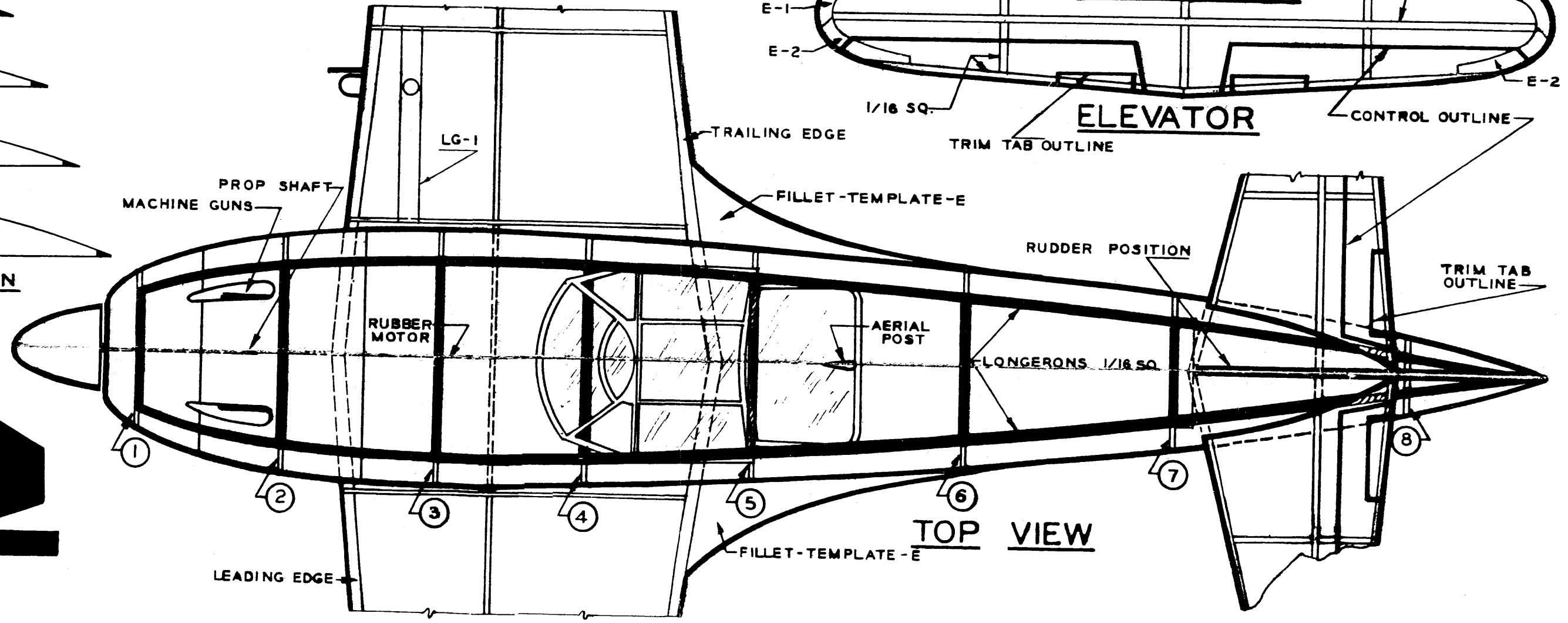
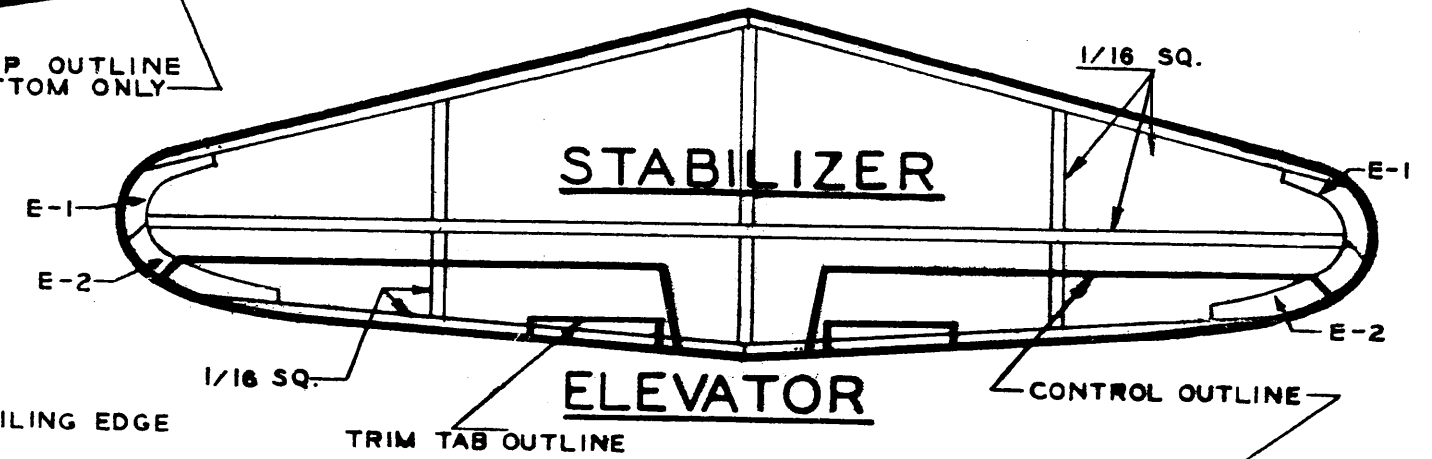
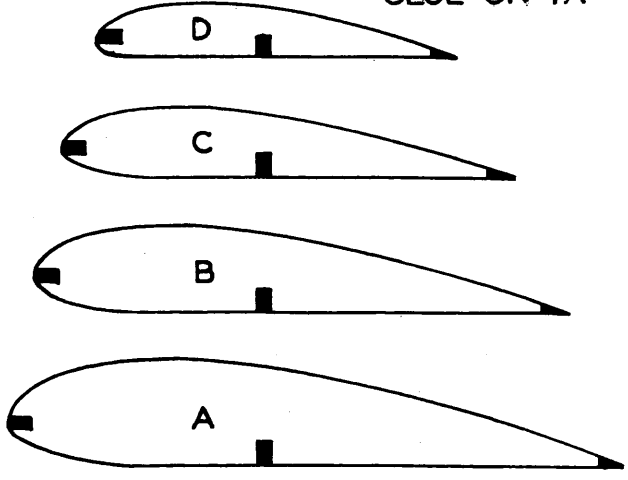


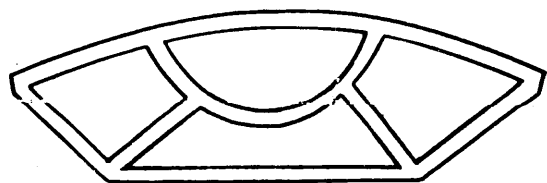
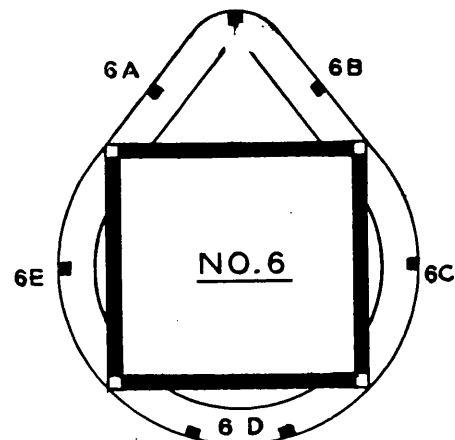
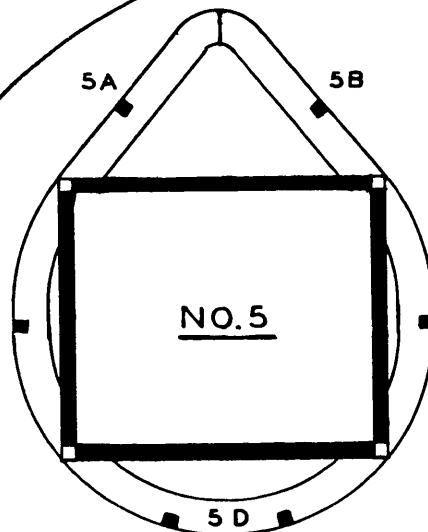
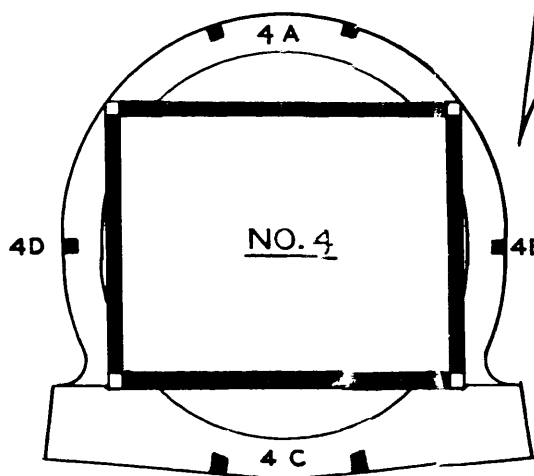
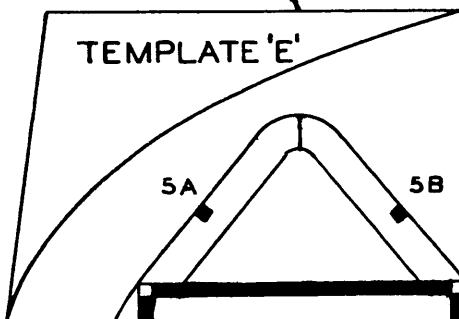
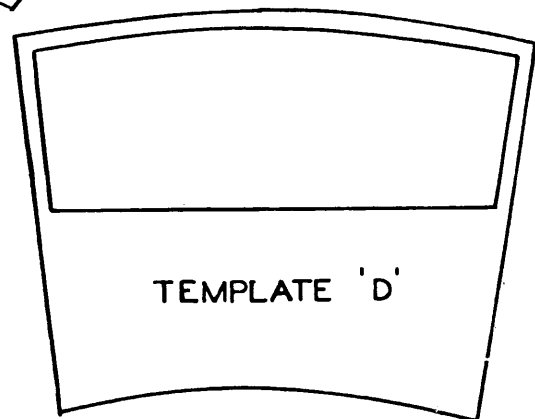
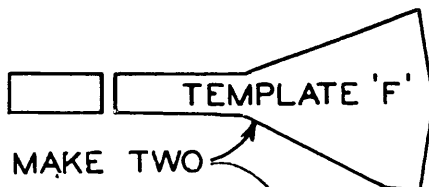
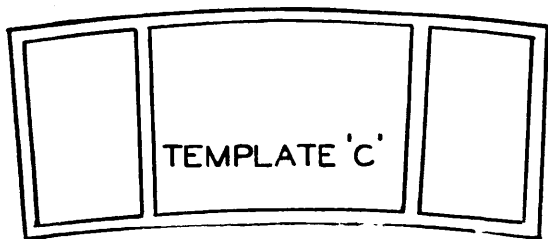
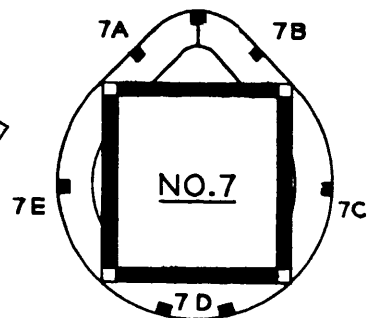
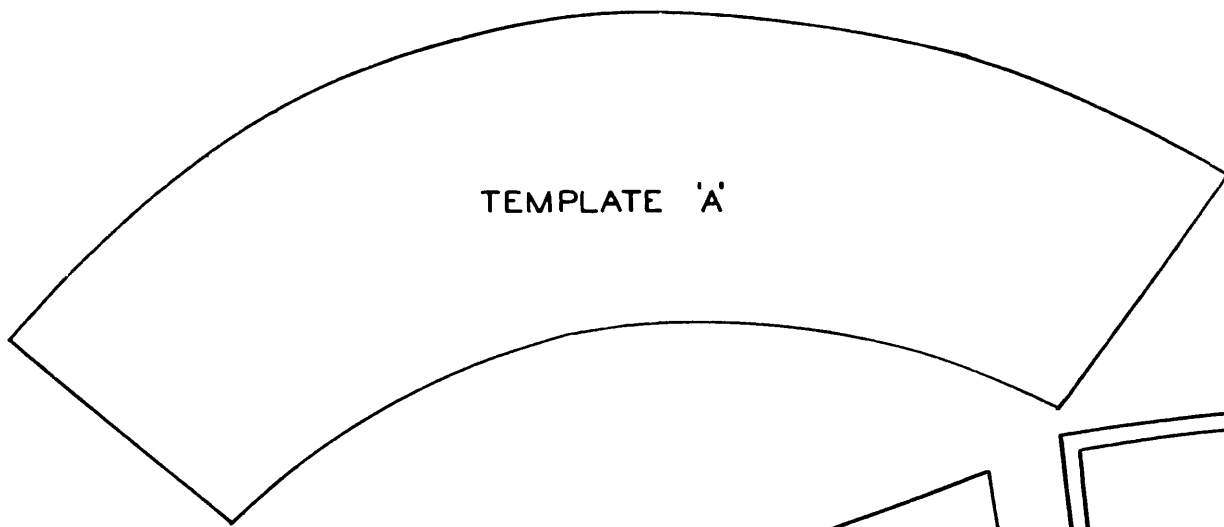
SCALE 423" = 1'-0"  
 EXACT SCALE FLYING MODEL  
**"JACK" II JAP NAVY FIGHTER**  
 NO. 3704 COPYRIGHT 1946 WHITMAN PUBLISHING COMPANY  
 RACINE, WISCONSIN, U.S.A.  
 PRINTED IN U.S.A.



INSTRUMENT PANEL  
GLUE ON 4A



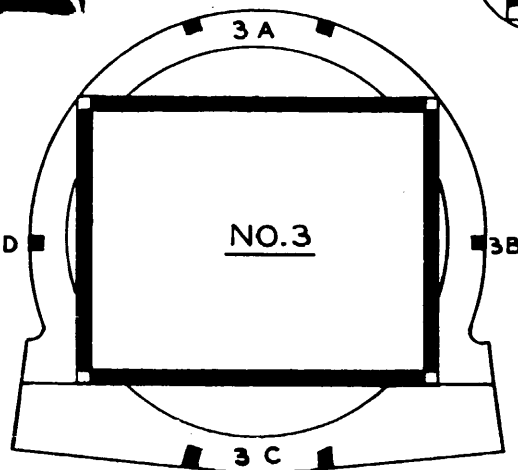
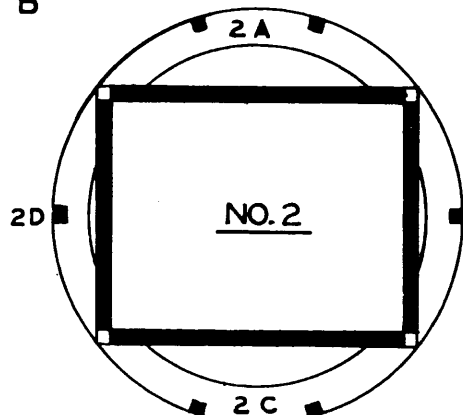
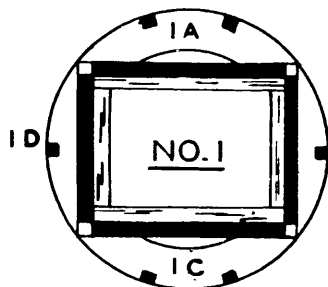
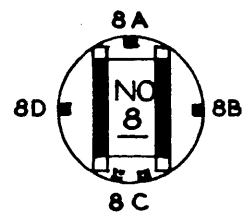
MAKE INSIGNIA ON THIN WHITE PAPER, CUT OUT, AND ATTACH AS SHOWN.



PILOT



MAKE TWO



BULKHEADS AS VIEWED FROM BACK OF MODEL.